

COAX CONTACT SERIES

Size 8 Coax - High Power/High Voltage Contacts

PDM 15 Series High Power

Specifications / Interface Drawings	119
Product Data	120-122

PDM 15 Series High Voltage

Specifications / Interface Drawings	123
Product Data	124

PDM 15 SERIES – HIGH POWER

SPECIFICATIONS SUBJECT TO CHANGE WITHOUT NOTICE

MECHANICAL

<p>MATERIALS</p> <p>Plug Bodies: Brass per ASTM B 16. Receptacle Bodies: Beryllium Copper per ASTM B 196. Retaining Ring: Beryllium Copper per ASTM B 194.</p>	<p>PLATING</p> <p>Gold per MIL-G-45204. Copper per MIL-C-14550. Nickel per QQ-N-290.</p>
---	---

FINISH (Add letter to end of part number.)

<p>BODIES*</p> <p>"A": .000050 Min. Gold over Nickel. "B": .000030 Min. Gold over Nickel. "C": .000050 Min. Gold over Copper. "D": .000030 Min. Gold over Copper. ***F": .000010 Min. Gold over Nickel "H": Non-Magnetic – .000050 Min. Gold over Copper. Residual Magnetism less than 20 Gamma.</p>

MATING CHARACTERISTICS

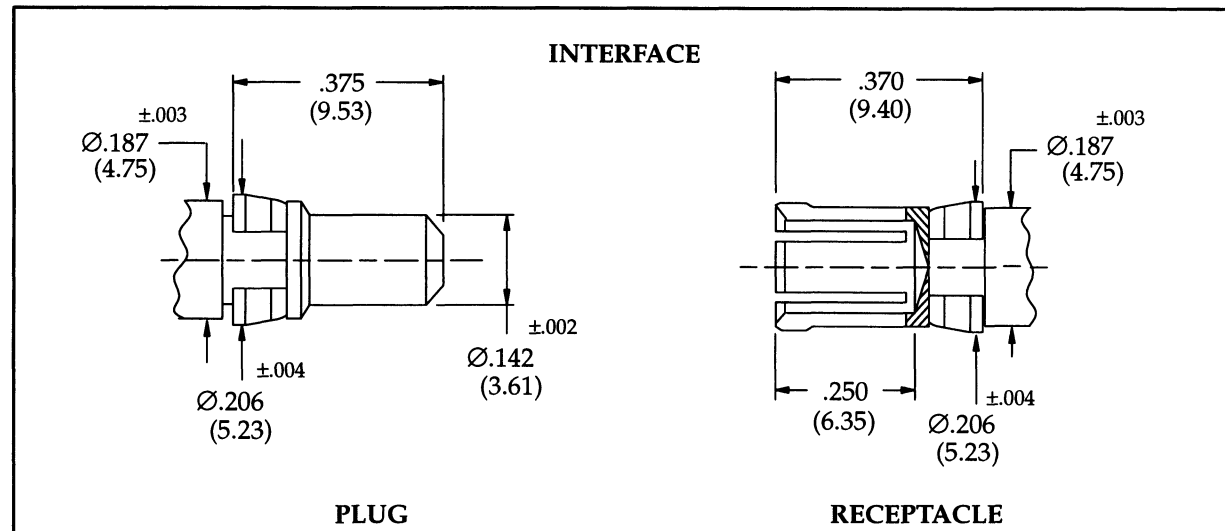
<p>Outer Bodies: 3 lbs. Max. Insertion. 2 oz. Min. Withdrawal.</p> <p>Housing Retention: 12 lbs. Min.</p>
--

ELECTRICAL

<p>Current Rating: 10, 20, & 40 Amps.</p>	<p>Contact Resistance: 3 Milliohms. DWV: See detailed chart located in Appendix A.</p>
---	---

ENVIRONMENTAL

<p>Operating Temperature Range: -67° F to +257° F. (-55° C to +125° C)</p> <p>Vibration: MIL-STD-1344, Meth. 2005, Test Condition 4.</p> <p>Shock: MIL-STD-1344, Meth. 2004, Test Condition E.</p>	<p>Salt Spray: MIL-STD-1344, Method 1001, Condition B.</p> <p>Solderability: MIL-STD-202, Method 208.</p> <p>Durability: 500 Cycles.</p>
---	--



* All other components plated to meet environmental requirements.
 ***F Plating may not meet all aspects of Environmental Specifications.

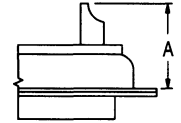
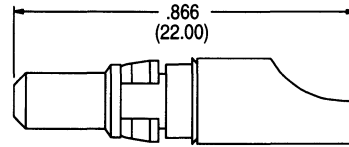


PDM 15 SERIES – HIGH POWER SOLDER

Part Number	A MAX.	Current Rating	Wire
15-0020-0001*	.666 (16.92)	40 AMP	# 8
15-0020-0002*	.666 (16.92)	20 AMP	# 12
15-0020-0003*	.666 (16.92)	10 AMP	# 16

Straight Plug

HIGH POWER

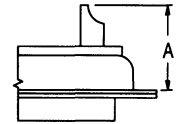
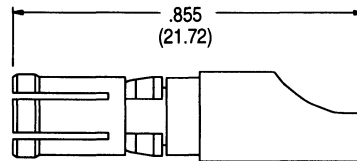


Solder

Part Number	A MAX.	Current Rating	Wire
15-1020-0001*	.666 (16.92)	40 AMP	# 8
15-1020-0002*	.666 (16.92)	20 AMP	# 12
15-1020-0003*	.666 (16.92)	10 AMP	# 16

Straight Receptacle

HIGH POWER

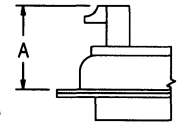
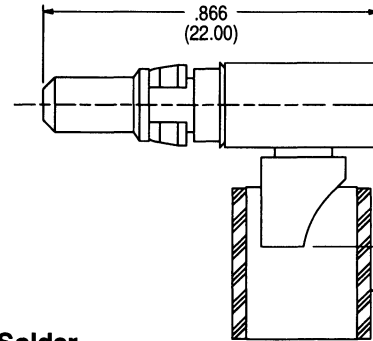


Solder

Part Number	A MAX.	B REF.	Current Rating	Wire
15-0520-0001*	.666 (16.92)	.365 (9.27)	40 AMP	# 8
15-0520-0002*	.666 (16.92)	.365 (9.27)	20 AMP	# 12
15-0520-0003*	.666 (16.92)	.365 (9.27)	10 AMP	# 16

Right Angle Plug

HIGH POWER

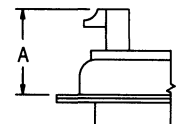
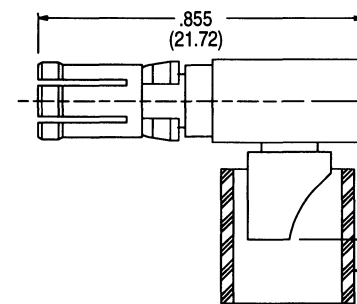


Solder

Part Number	A MAX.	B REF.	Current Rating	Wire
15-1520-0001*	.666 (16.92)	.365 (9.27)	40 AMP	# 8
15-1520-0002*	.666 (16.92)	.365 (9.27)	20 AMP	# 12
15-1520-0003*	.666 (16.92)	.365 (9.27)	10 AMP	# 16

Right Angle Receptacle

HIGH POWER



Solder

*See Specification Page for finish suffix.



THE PHOENIX COMPANY
of CHICAGO, INC.

Dimensions are subject to change without notice.

PALCO CONNECTOR

A subsidiary of The Phoenix Company

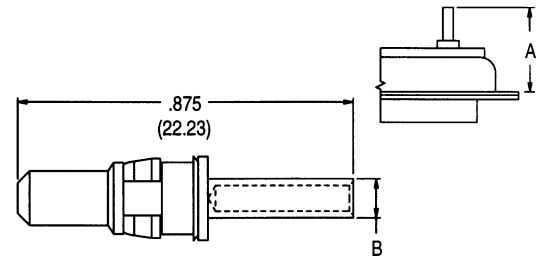
555 Pond Drive • Wood Dale, IL 60191-1192 • Toll Free (800)323-9562

PDM 15 SERIES – HIGH POWER CRIMP

Part Number	A MAX.	B DIA.	Wire
15-0080-0001*	.666 (16.92)	.218 (5.54)	# 8
15-0080-0002*	.666 (16.92)	.145 (3.68)	# 12/14
15-0080-0003*	.666 (16.92)	.102 (2.59)	# 16/18
15-0080-0004*	.666 (16.92)	.185 (4.70)	# 10

Straight Plug

HIGH POWER



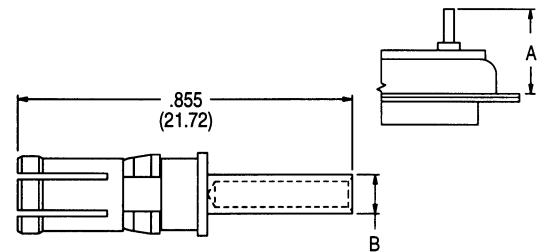
Crimp

Consult Factory For Tooling Information.

Part Number	A MAX.	B DIA.	Wire
15-1080-0001*	.666 (16.92)	.218 (5.54)	# 8
15-1080-0002*	.666 (16.92)	.145 (3.68)	# 12/14
15-1080-0003*	.666 (16.92)	.102 (2.59)	# 16/18
15-1080-0004*	.666 (16.92)	.185 (4.70)	# 10

Straight Receptacle

HIGH POWER



Crimp

Consult Factory For Tooling Information.

*See Specification Page for finish suffix.



PDM 15 SERIES – HIGH POWER PRINTED CIRCUIT MOUNT

Part Number	A DIA.	AMPS
15-0020-0078*	.078 (1.98)	10/20
15-0020-0125*	.125 (3.18)	**40

Straight Plug **HIGH POWER**

Printed Circuit Mount

Part Number	A DIA.	AMPS
15-1020-0078*	.078 (1.98)	10/20
15-1020-0125*	.125 (3.18)	**40

Straight Receptacle **HIGH POWER**

Printed Circuit Mount

Part Number	A REF.	B DIA.	C REF.	Current Rating	Fits Shell
15-0520-0161*	.515 (13.08)	.125 (3.18)	.355 (9.02)	**40 AMP	D
15-0520-0162*	.515 (13.08)	.125 (3.18)	.595 (15.11)	**40 AMP	D
15-0520-0171*	.400 (10.16)	.125 (3.18)	.355 (9.02)	**40 AMP	E,A,B,C
15-0520-0261*	.515 (13.08)	.078 (1.98)	.355 (9.02)	10/20 AMP	D
15-0520-0271*	.400 (10.16)	.078 (1.98)	.355 (9.02)	10/20 AMP	E,A,B,C

Right Angle Plug **HIGH POWER**

Printed Circuit Mount

Part Number	A REF.	B DIA.	C REF.	Current Rating	Fits Shell
15-1520-0161*	.515 (13.08)	.125 (3.18)	.355 (9.02)	**40 AMP	D
15-1520-0162*	.515 (13.08)	.125 (3.18)	.595 (15.11)	**40 AMP	D
15-1520-0171*	.400 (10.16)	.125 (3.18)	.355 (9.02)	**40 AMP	E,A,B,C
15-1520-0261*	.515 (13.08)	.078 (1.98)	.355 (9.02)	10/20 AMP	D
15-1520-0271*	.400 (10.16)	.078 (1.98)	.355 (9.02)	10/20 AMP	E,A,B,C

Right Angle Receptacle **HIGH POWER**

Printed Circuit Mount

*See Specification Page for finish suffix.

**Counter-Bored for improved solderability.

